

RECESS MOUNT DOWNLIGHTS

SPARK Series

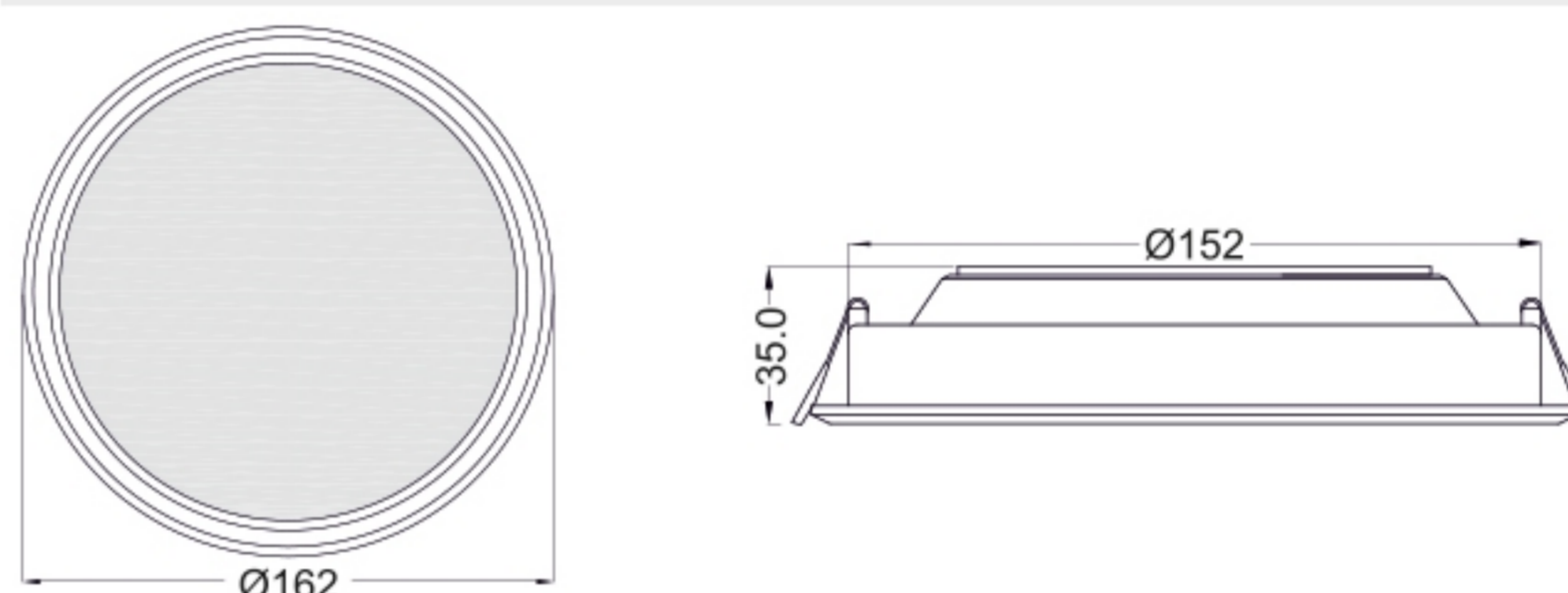
Thermal Plastic Injection Moulded Housing for Heat dissipation, with PC frosted diffuser having high optical output & protects from Glare. It has numerous high power SMD LED's giving a uniform lighting output. Energy saving up to 85% compared to standard halogen & incandescent lamps. Our LED's have less than 3% - 5%* light decay in 50000hrs testing.



Product Images



Dimensions



TECHNICAL PARAMETERS

Model	SPARK		
Power Wattage	8W	15W	22W
Cutout (mm)	Ø 101	Ø 152	Ø 203
Outer (mm)	Ø 112	Ø 162	Ø 216
Height (mm)	35	35	38
LED Color Temperature	3000k 4500k 6500k		
Beam Angle	120°		
Optical Cover	Polycarbonate		
Light Source	BridgeLUX Everlite Osram Cree		
Housing Material	Thermal Plastic		
Power Requirement	AC 120 ~ 300V , 50 ~ 60Hz		
Protection Rating	IP 20		
Lumen / W	100lm / W		
CRI	≥ 80 Ra		
Operating Temperature	0°C - 50°C		
Driver	In-built Driver		
Power Factor & THD	> 0.9 < 20%		