

RECESS MOUNT DOWNLIGHTS

SPARK Series

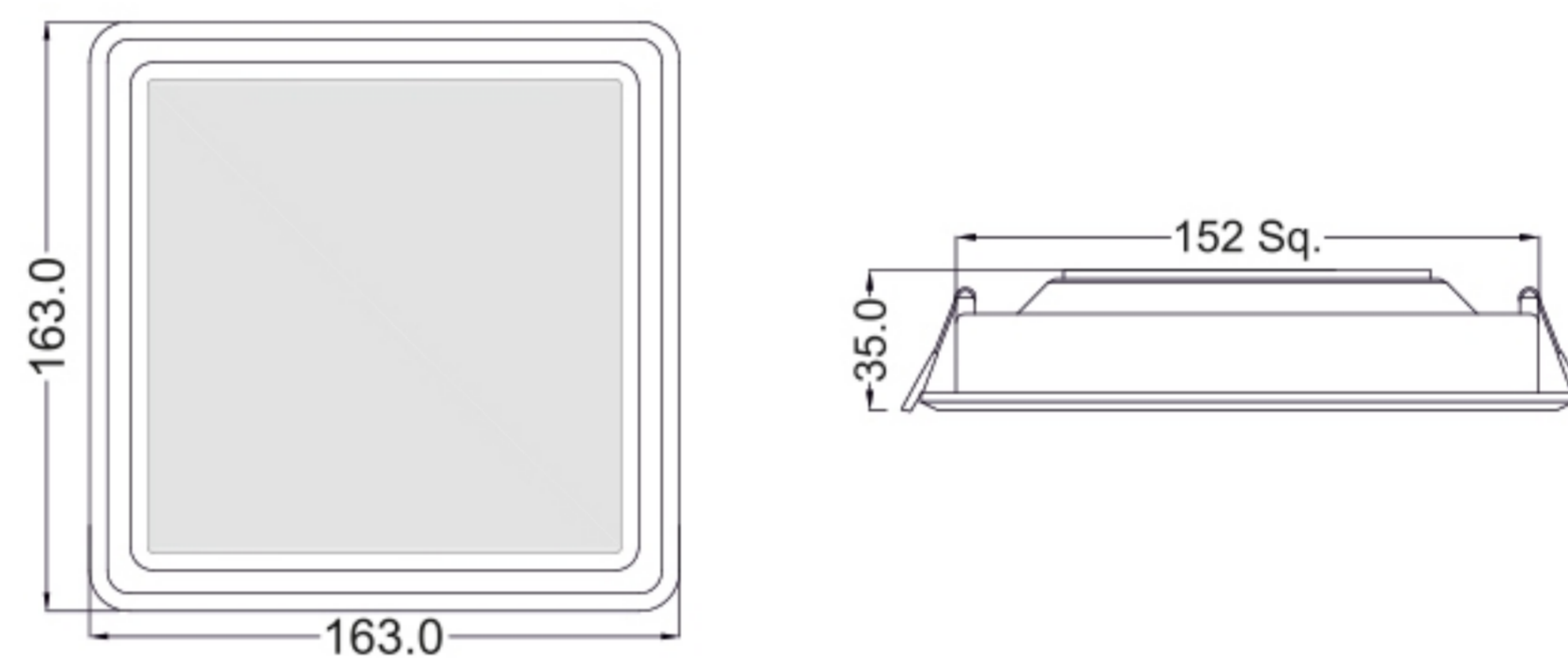
Thermal Plastic Injection Moulded Housing for Heat dissipation, with PC frosted diffuser having high optical output & protects from Glare. It has numerous high power SMD LED's giving a uniform lighting output. Energy saving up to 85% compared to standard halogen & incandescent lamps. Our LED's have less than 3% - 5%* light decay in 50000hrs testing.



Product Images



Dimensions



TECHNICAL PARAMETERS

| Model | SPARK | | |
|-----------------------|-------------------------------------|-----------|-----------|
| Power Wattage | 8W | 15W | 22W |
| Cutout (mm) | 101 x 101 | 152 x 152 | 203 x 203 |
| Outer (mm) | 113 x 113 | 163 x 163 | 217 x 217 |
| Height (mm) | 35 | 35 | 38 |
| LED Color Temperature | 3000k 4500k 6500k | | |
| Beam Angle | 120° | | |
| Optical Cover | Polycarbonate | | |
| Light Source | BridgeLUX Everlite Osram Cree | | |
| Housing Material | Thermal Plastic | | |
| Power Requirement | AC 120 ~ 300V , 50 ~ 60Hz | | |
| Protection Rating | IP 20 | | |
| Lumen / W | 100lm / W | | |
| CRI | ≥ 80 Ra | | |
| Operating Temperature | 0°C - 50°C | | |
| Driver | In-built Driver | | |
| Power Factor & THD | > 0.9 < 20% | | |