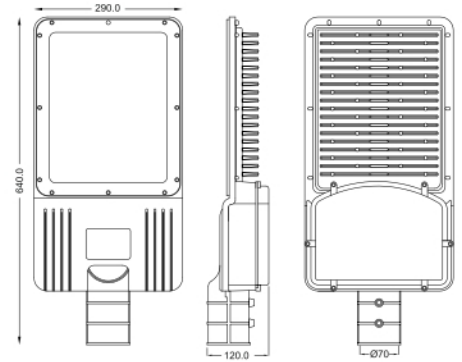


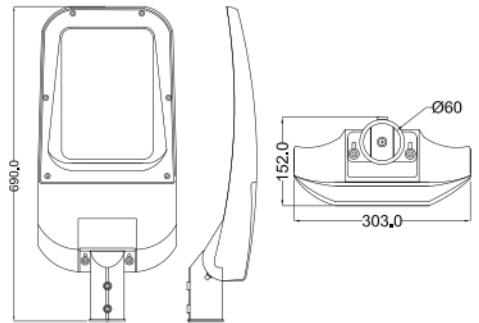
SL-25 280W ~ 300W



STREET LIGHT Series



SL-49 100W ~ 200W



TECHNICAL PARAMETERS

Model	STREET LIGHTS	
LED Color Temperature	3000k 4000k 6000k	
Optical Cover	Toughened Glass	
Light Source	OSRAM BRIDGELUX	
Housing Material	Aluminium Pressure Die-Casting	
Power Requirement	AC 110 ~ 300V , 50 ~ 60Hz	
Protection Rating	IP 66	
Lumen / W	100lm / W ~ 120lm / W	
CRI	≥ 70 Ra ≥ 80 Ra	
Operating Temperature	-10°C - +50°C	
Driver	Integrated Driver	
Power Factor & THD	> 0.9 < 10%	
Nett. Weight (gms)	SL-25 : 6200 g	SL-49 : 6900 g